



# BExCP3 Manual Call Points



# 'BEx' range: Zone 1, 2, 21 & 22 signals



## BExCP3A/B-BG

### Zone 1, 2, 21 & 22 Break Glass Call Point

The BExCP3A-BG and BExCP3B-BG break glass manual call points are approved for Zone 1, 2, 21 and 22 hazardous areas for the control of fire and gas alarm systems. Available with and without monitoring resistors all versions are certified to ATEX and IECEx standards.

The BEx range features enclosures manufactured from corrosion proof, marine grade, copper free LM6 (A413) aluminium which is phosphated and powder coated.

#### Features:

- BExCP3A-BG: II 2G Ex e d IIC T6 Gb  
II 2D Ex t IIIC T60°C Db  
IP66
- BExCP3B-BG: II 2G Ex e d mb IIC T4 Gb  
II 2D Ex t IIIC T70°C Db  
IP66
- Ambient: Ta = -40°C to +55°C (BExCP3B: +50°C)

• Environmental Protection: IP66

• The equipment is certified against the following standards:

EN 60079-0:2006/IEC 60079-0:2007  
EN 60079-1:2004/IEC 60079-1:2003  
EN 60079-7:2007/IEC 60079-7:2006  
EN 60079-18:2004/IEC 60079-18:2006

EN 61241-0:2006/IEC 61241-0:2004  
EN 61241-1:2004/IEC 61241-1:2004

- ATEX certificate number: Sira 09ATEX3286X
- IECEx certificate number: IECEx SIR 09.0121X



#### Specification:

#### Standard:

- 6 x 4mm<sup>2</sup> terminals.
- Internal and external earth continuity points.
- Cable entries:  
2 x M20 clearance top and 1 x M20 clearance side.  
Back box can be rotated to give 2 x bottom and 1 x side entries.
- Supplied with test/reset key

#### Options:

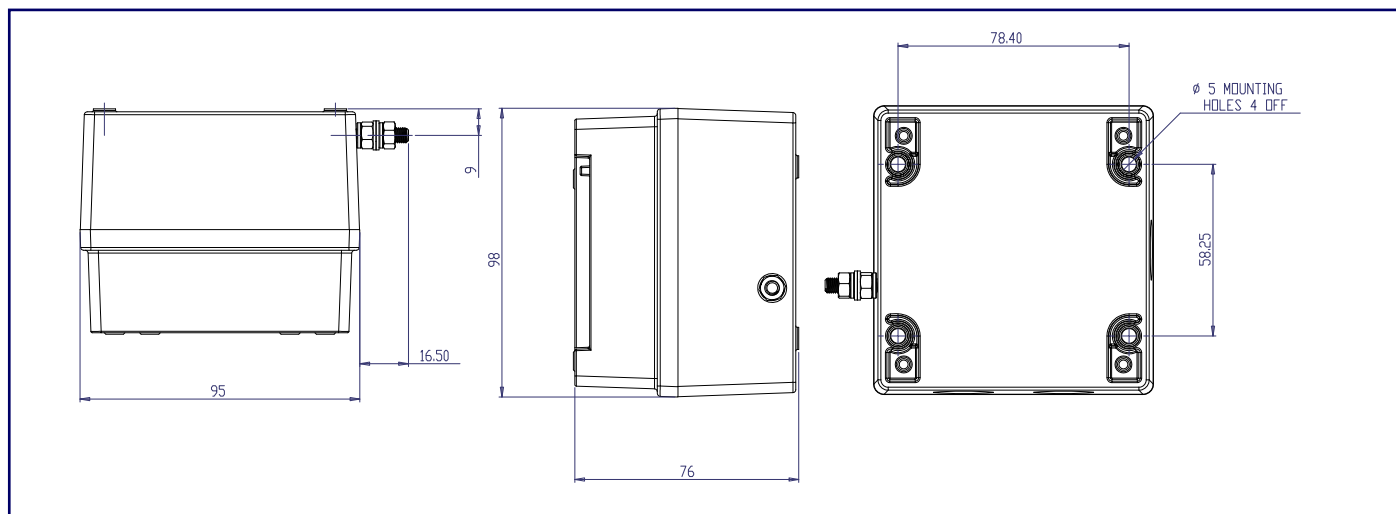
- Alternative housing colours are available to meet specific requirements.
- DIN rail mounted terminal blocks: 8 x 2.5mm<sup>2</sup>
- Stainless Steel lift flap
- Metalised Polyester "Duty" label.
- Series and/or End of Line resistors.

- T: +44(0)2087438880
- F: +44(0)2087404200
- @: sales@e2s.com
- W: www.e2s.com

BEx

# 'BEx' range: Zone 1, 2, 21 & 22 signals

BExCP3A/B-BG



All dimensions in mm

## Versions:

Version:	Category:	Voltage:	Switch rating:	Monitoring Resistors:	Terminals:	Cable entries:	Weight:
BExCP3A-BG	II 2G Ex e d IIC T6 Gb II 2D Ex t IIIC T60°C Db IP66 Ta = -40°C to +55°C	250V ac Max. 50V dc Max.	5.0A Max. 1.0A Max.		N	6 x 4mm <sup>2</sup> 2 x M20 Top/Bottom 1 x M20 Left/Right	0.8Kg
BExCP3B-BG	II 2G Ex e d mb IIC T4 Gb II 2D Ex t IIIC T70°C Db IP66 Ta = -40°C to +50°C	56V dc Max. <50V dc 1.0A >50V dc 0.75A	Nominal Voltage: 48V 24V 12V 6V	Maximum Voltage: 56V 28V 15V 9V	Min. EOL / Series Value: 1K8 470R 120R 47R	Y 6 x 4mm <sup>2</sup> or 8 x 2.5mm <sup>2</sup> DIN rail 2 x M20 Top/Bottom 1 x M20 Left/Right	0.8Kg

## Part codes:

Type:	Terminals:	Lift Flap:	Duty Label:	Colour:	Nominal Voltage:	E.O.L Resistor:	Series Resistor:
BExCP3A-BG	ST	LF	NL	-	48V	-	-
BExCP3B-BG	DR	NF	DL	RD	24V 12V 6V	ExxxR	SxxxR

ST: Standard  
DR: DIN rail  
Only available on BExCP3B version

LF: Lift Flap  
NF: No Flap (Standard)

NL: No label (std)  
DL: Duty Label  
Specify content when ordering.

RD: Red (std)  
Contact sales for other colour options

System Voltage  
Only required on BExCP3B version

xxx: Res. value  
e.g.: E470R  
Only available on BExCP3B version

xxx: Res. value  
e.g.: S2K2R  
Only available on BExCP3B version

e.g. BExCP3A-BG-ST-LF-NL-RD  
e.g. BExCP3B-BG-DR-NF-NL-RD-24V-E470R

: BExCP3A Break glass call point with standard terminals, lift flap and no duty label. Red housing  
: BExCP3B Break glass call point with DIN rail terminals, no lift flap, no duty label, 24V supply voltage with a 470 Ohm end of line resistor. Red housing.

# 'BEx' range: Zone 1, 2, 21 & 22 signals



## BExCP3A/B-PB

### Zone 1, 2, 21 & 22 Push Button Call Point

The BExCP3A-PB and BExCP3B-PB push button manual call points are approved for Zone 1, 2, 21 and 22 hazardous areas for the control of fire and gas alarm systems. Available with and without monitoring resistors all versions are certified to ATEX and IECEx standards.

The push button mechanism is protected by a spring loaded cover therefore the switch requires a two-action activation. The product is user resettable by rotating the push button.

The BEx range features enclosures manufactured from corrosion proof, marine grade, copper free LM6 (A413) aluminium which is phosphated and powder coated.

#### Features:

- BExCP3A-PB: II 2G Ex e d IIC T6 Gb  
II 2D Ex t IIIC T60°C Db  
IP66
- BExCP3B-PB: II 2G Ex e d mb IIC T4 Gb  
II 2D Ex t IIIC T70°C Db  
IP66
- Ambient: Ta = -40°C to +55°C (BExCP3B: +50°C)
- Environmental Protection: IP66
- The equipment is certified against the following standards:  
  
EN 60079-0:2006/IEC 60079-0:2007  
EN 60079-1:2004/IEC 60079-1:2003  
EN 60079-7:2007/IEC 60079-7:2006  
EN 60079-18:2004/IEC 60079-18:2006  
  
EN 61241-0:2006/IEC 61241-0:2004  
EN 61241-1:2004/IEC 61241-1:2004
- ATEX certificate number: Sira 09ATEX3286X
- IECEx certificate number: IECEx SIR 09.0121X



#### Specification:

#### Standard:

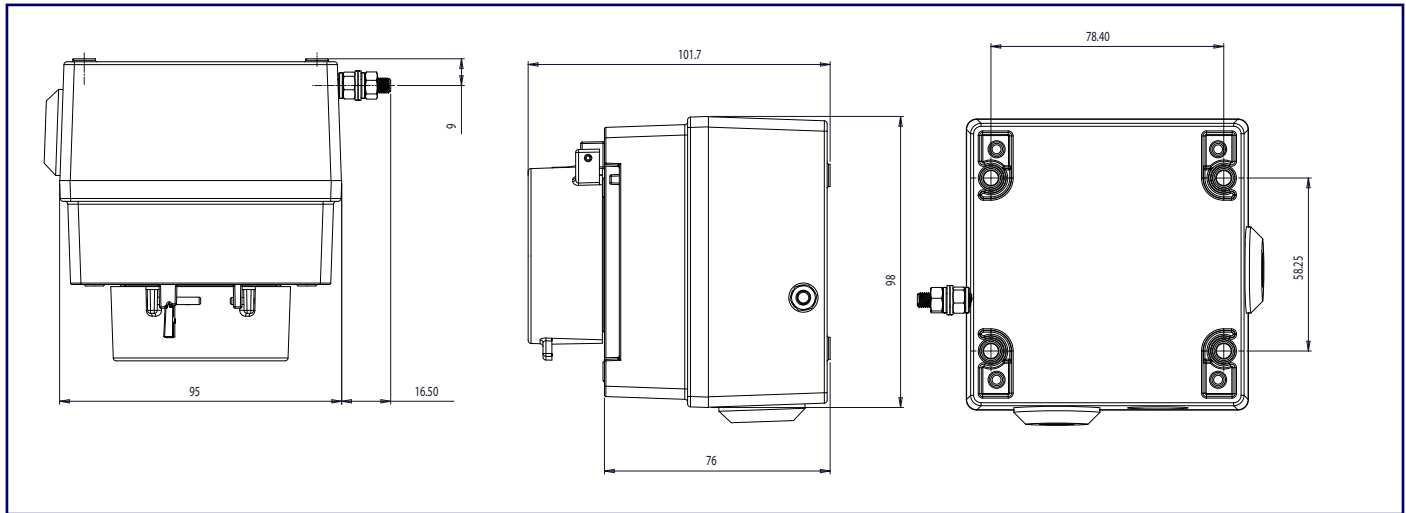
- 6 x 4mm<sup>2</sup> terminals.
- Internal and external earth continuity points.
- Cable entries:  
2 x M20 clearance top and 1 x M20 clearance side.  
Back box can be rotated to give 2 x bottom and 1 x side entries.

#### Options:

- Alternative housing colours are available to meet specific requirements.
- DIN rail mounted terminal blocks: 8 x 2.5mm<sup>2</sup>
- Metalised Polyester "Duty" label.
- Series and/or End of Line resistors.

# 'BEx' range: Zone 1, 2, 21 & 22 signals

BExCP3A/B-PB



All dimensions in mm

## Versions:

Version:	Category:	Voltage:	Switch rating:	Monitoring Resistors:	Terminals:	Cable entries:	Weight:	
BExCP3A-PB	II 2G Ex e d IIC T6 Gb II 2D Ex t IIIC T60°C Db IP66 Ta = -40°C to +55°C	250V ac Max. 50V dc Max.	5.0A Max. 1.0A Max.		N 6 x 4mm <sup>2</sup>	2 x M20 Top/Bottom 1 x M20 Left/Right	0.8Kg	
BExCP3B-PB	II 2G Ex e d mb IIC T4 Gb II 2D Ex t IIIC T70°C Db IP66 Ta = -40°C to +50°C	56V dc Max. <50V dc 1.0A >50V dc 0.75A	Nominal Voltage: 48V 24V 12V 6V	Maximum Voltage: 56V 28V 15V 9V	Min. EOL / Series Value: 1K8 470R 120R 47R	Y 6 x 4mm <sup>2</sup> or 8 x 2.5mm <sup>2</sup> DIN rail	2 x M20 Top/Bottom 1 x M20 Left/Right	0.8Kg

## Part codes:

Type:	Terminals:	Duty Label:	Colour:	Nominal Voltage:	E.O.L Resistor:	Series Resistor:
BExCP3A-PB BExCP3B-PB	- ST DR	- NL DL	- RD	48V 24V 12V 6V	- ExxxR	- SxxxR

ST: Standard  
DR: DIN rail  
Only available  
on BExCP3B  
version

NL: No label (std)  
DL: Duty Label  
Specify content  
when ordering.

RD: Red (std)  
Contact sales  
for other  
colour options

System Voltage  
Only required  
on BExCP3B  
version

xxx: Res. value  
e.g.: E470R  
Only available on  
BExCP3B version

xxx: Res. value  
e.g.: S2K2R  
Only available on  
BExCP3B version

e.g. BExCP3A-PB-ST-NL-RD  
e.g. BExCP3B-PB-DR-NL-RD-24V-E470R

: BExCP3A Push button call point with standard terminals and no duty label. Red housing  
: BExCP3B Push button call point with DIN rail terminals, no duty label, 24V supply voltage with a 470 Ohm end of line resistor. Red housing.

# 'BEx' range: Zone 1, 2, 21 & 22 signals



## BExCP3A/B-PT

### Zone 1, 2, 21 & 22 Tool Reset Call Point

The BExCP3A-PT and BExCP3B-PT push button, tool resettable manual call points are approved for Zone 1, 2, 21 and 22 hazardous areas for the control of fire and gas alarm systems. Available with and without monitoring resistors all versions are certified to ATEX and IECEx standards.

The push button mechanism is protected by a spring loaded cover therefore the switch requires a two-action activation. The push button is user resettable via the use of the special key supplied with the unit.

The BEx range features enclosures manufactured from corrosion proof, marine grade, copper free LM6 (A413) aluminium which is phosphated and powder coated.

#### Features:

- BExCP3A-PT: II 2G Ex e d IIC T6 Gb  
II 2D Ex t IIIC T60°C Db  
IP66
- BExCP3B-PT: II 2G Ex e d mb IIC T4 Gb  
II 2D Ex t IIIC T70°C Db  
IP66
- Ambient: Ta = -40°C to +55°C (BExCP3B: +50°C)
- Environmental Protection: IP66
- The equipment is certified against the following standards:

EN 60079-0:2006/IEC 60079-0:2004  
EN 60079-1:2004/IEC 60079-1:2003  
EN 60079-7:2007/IEC 60079-7:2006  
EN 60079-18:2004/IEC 60079-18:2006

EN 61241-0:2006/IEC 61241-0:2004  
EN 61241-1:2004/IEC 61241-1:2004

- ATEX certificate number: Sira 09ATEX3286X
- IECEx certificate number: IECEx SIR 09.0121X

- T: +44(0)2087438880
- @: sales@e2s.com
- F: +44(0)2087404200
- W: www.e2s.com



#### Specification:

#### Standard:

- 6 x 4mm<sup>2</sup> terminals.
- Internal and external earth continuity points.
- Cable entries:  
2 x M20 clearance top and 1 x M20 clearance side.  
Back box can be rotated to give 2 x bottom and 1 x side entries.

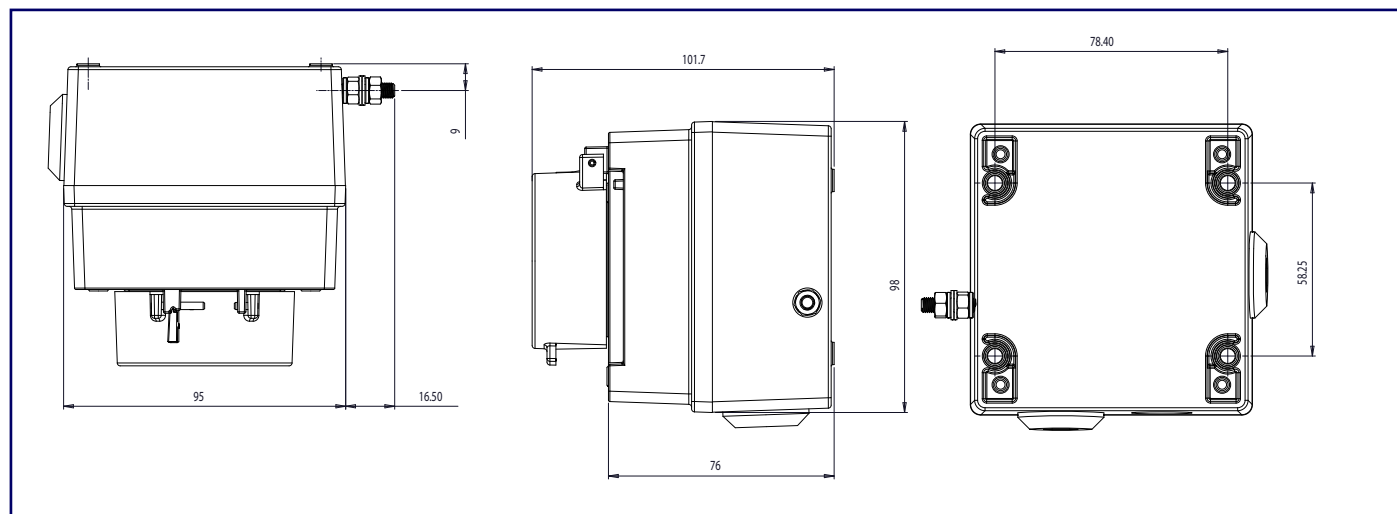
#### Options:

- Alternative housing colours are available to meet specific requirements.
- DIN rail mounted terminal blocks: 8 x 2.5mm<sup>2</sup>
- Metalised Polyester "Duty" label.
- Series and/or End of Line resistors.

# BEx

# 'BEx' range: Zone 1, 2, 21 & 22 signals

BExCP3A/B-PT



All dimensions in mm

## Versions:

Version:	Category:	Voltage:	Switch rating:	Monitoring Resistors:	Terminals:	Cable entries:	Weight:
BExCP3A-PT	II 2G Ex e d IIC T6 Gb II 2D Ex t IIIC T60°C Db IP66 Ta = -40°C to +55°C	250V ac Max. 50V dc Max.	5.0A Max. 1.0A Max.		N 6 x 4mm <sup>2</sup>	2 x M20 Top/Bottom 1 x M20 Left/Right	0.8Kg
BExCP3B-PT	II 2G Ex e d mb IIC T4 Gb II 2D Ex t IIIC T70°C Db IP66 Ta = -40°C to +50°C	56V dc Max. <50V dc 1.0A >50V dc 0.75A	Nominal Voltage: 48V 24V 12V 6V	Maximum Voltage: 56V 28V 15V 9V	Min. EOL / Series Value: 1K8 470R 120R 47R	Y 6 x 4mm <sup>2</sup> or 8 x 2.5mm <sup>2</sup> DIN rail 2 x M20 Top/Bottom 1 x M20 Left/Right	0.8Kg

## Part codes:

Type:	Terminals:	Duty Label:	Colour:	Nominal Voltage:	E.O.L Resistor:	Series Resistor:
BExCP3A-PT BExCP3B-PT	- ST DR	- NL DL	- RD	48V 24V 12V 6V	- ExxxR	- SxxxR

ST: Standard  
DR: DIN rail  
Only available on BExCP3B version

NL: No label (std)  
DL: Duty Label  
Specify content when ordering.

RD: Red (std)  
Contact sales for other colour options

System Voltage  
Only required on BExCP3B version

xxx: Res. value  
e.g.: E470R  
Only available on BExCP3B version

xxx: Res. value  
e.g.: S2K2R  
Only available on BExCP3B version

e.g. BExCP3A-PT-ST-NL-RD  
e.g. BExCP3B-PT-DR-NL-RD-24V-E470R

: BExCP3A Tool reset call point with standard terminals and no duty label. Red housing  
: BExCP3B Tool reset call point with DIN rail terminals, no duty label, 24V supply voltage with a 470 Ohm end of line resistor. Red housing.



+44 (0) 20 8743 8880



+44 (0) 20 8740 4200



[sales@e2s.com](mailto:sales@e2s.com)



[www.e2s.com](http://www.e2s.com)

